

Delmar / Lagos Series Point Drain

Standard installation for wood sub-floor



I. Frame out shower surround as required.

II. Connect drain flange body **A** to the drain pipe, leaving drain bolts in place. Block drain opening with rag to prevent floor mortar blocking pipe work.

III. Trowel mortar bed over subfloor **B**, pitch at a 1/4" per foot slope in four directions towards the shower base.

IV. Install waterproof membrane **C**, reinforce around outlet and cut carefully to expose heads of drain bolts and outlet. Install clamping ring **D**.

V. Test membrane for leaks.

VI. Screw the QM drain base **E** into the drain flange, adjust height as needed. Proper height should be determined by flooring contractor.

VII. Trowel mortar to required height **F**.

VIII. Once floor mortar has cured, apply thin set **G** and install tile

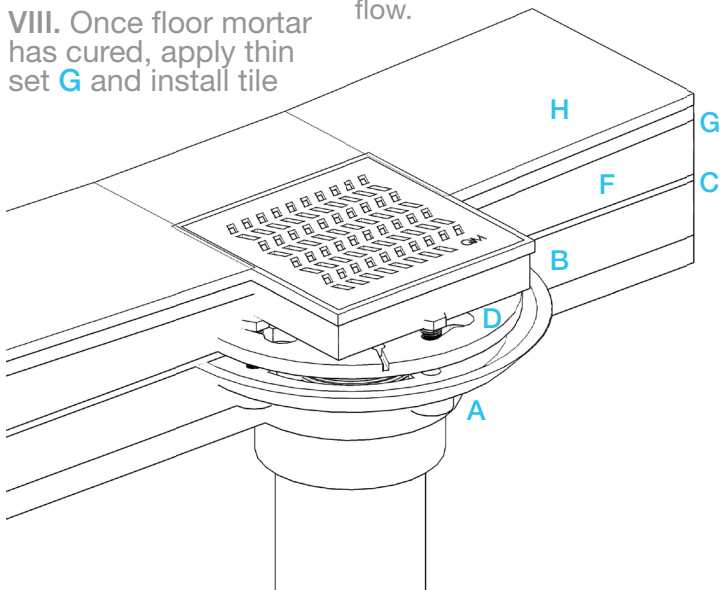
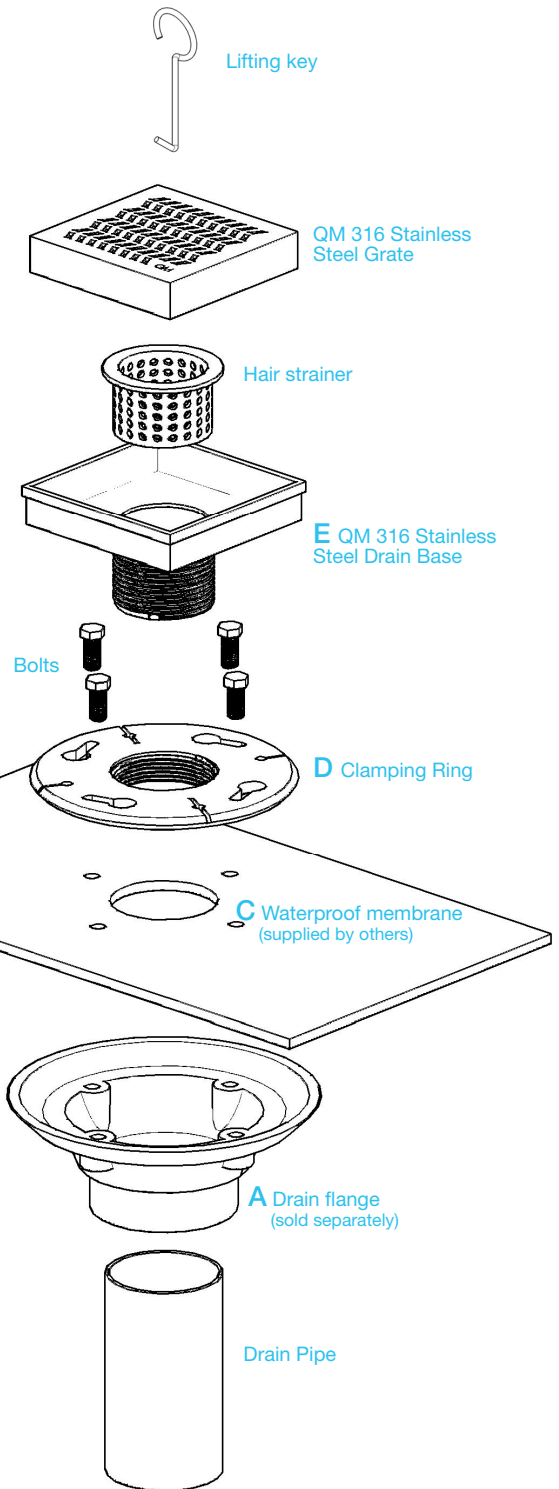
and grout **H**.

IX. Install the grate into QM drain base.

* For Mist or Veil (Tile-In): Spread a layer of mortar into the grate, allowing for thinset and material to finish flush with metal frame.

Note:

- Waterproof membrane should be installed and tested per manufacturer's instructions, local building and plumbing codes.
- QM recommends this product to be installed by a licensed contractor.
- QM drain fits into most common 2" ABS, PVC or Cast Iron shower drain flange.
- Hair stainer basket fits inside the drain to collect hair and other debris, preventing pipe clogs. Empty basket as needed to maintain optimal performance. The use of the basket is optional.
- Lifting key assists with grate removal.
- Failure to achieve adequate floor slope will result in standing water problems or slow water flow.



Delmar / Lagos Series Point Drain
Installation for Concrete Slab



I. Frame out shower surround as required.

II. Connect drain outlet **A** to waste pipe **B** using a no hub coupling.

III. Pour concrete slurry to the height of the channel bottom, pitch at a 1/4" per foot slope in four directions towards the shower base.

IV. Install waterproofing membrane per manufacturer's instructions, fully covering concrete **D**.

V. Trowel mortar to required height.

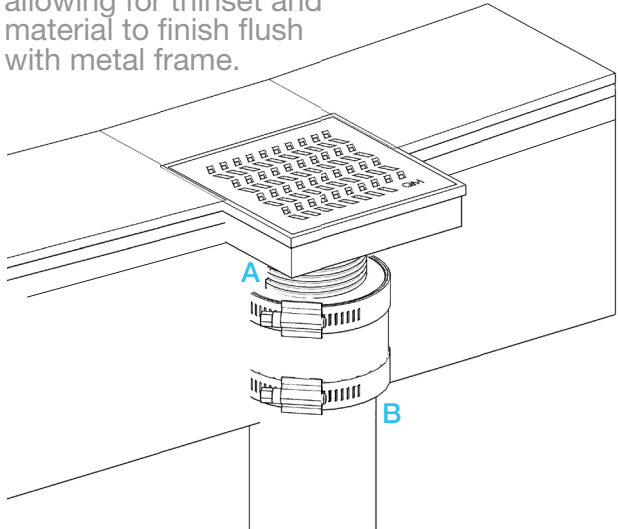
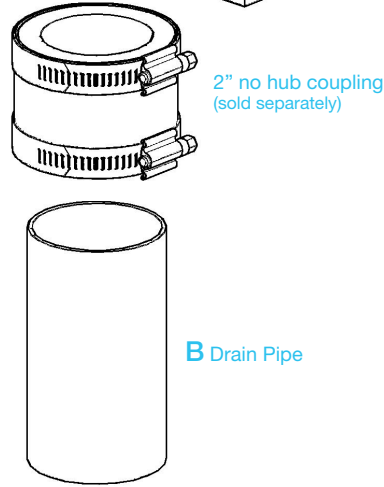
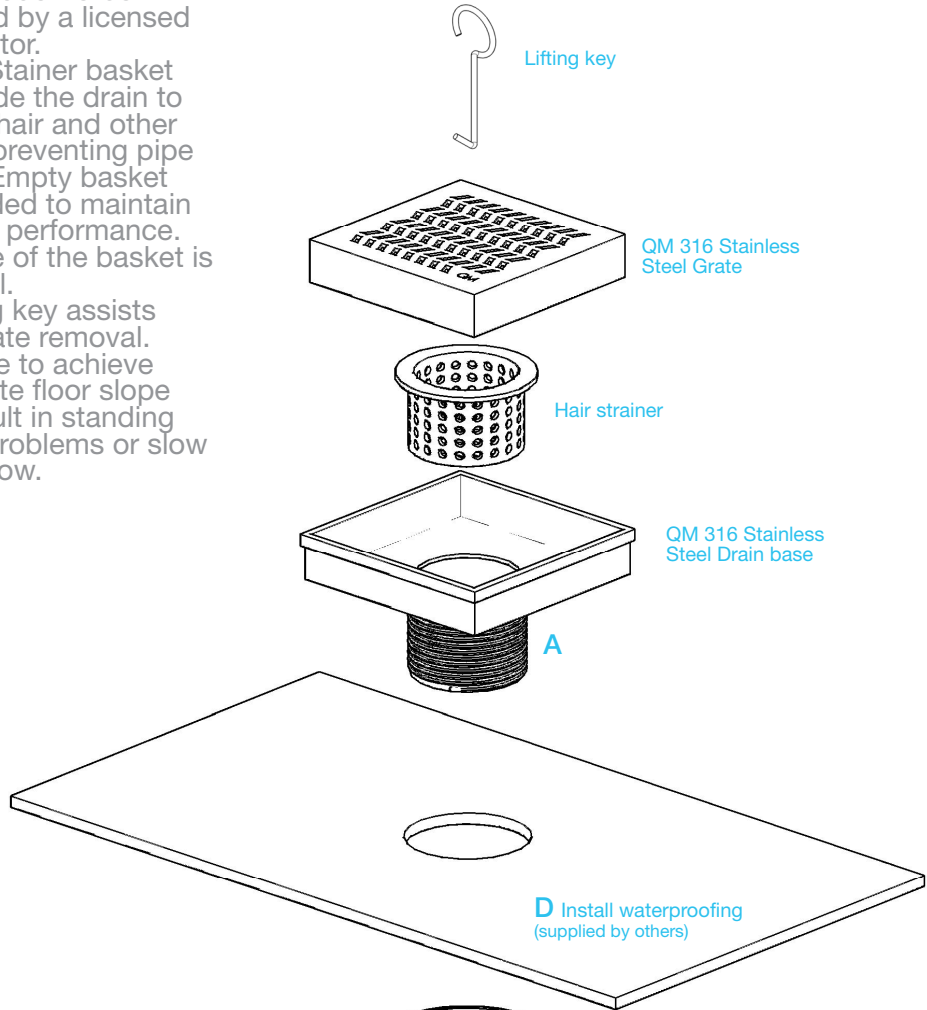
VI. Once floor mortar has cured, apply thin set and install tile and grout.

VII. Install the grate into the shower linear base.

* For Mist or Veil (Tile-In): Spread a layer of mortar into the grate, allowing for thinset and material to finish flush with metal frame.

Note:

- QM recommends this product to be installed by a licensed contractor.
- Hair Stainer basket fits inside the drain to collect hair and other debris preventing pipe clogs. Empty basket as needed to maintain optimal performance. The use of the basket is optional.
- Lifting key assists with grate removal.
- Failure to achieve adequate floor slope will result in standing water problems or slow water flow.



For installation videos and more information visit us at www.qmdrain.com