

Bay Series Linear Drain Standard Length Installation for Concrete Slab



I. Determine where the drain will be positioned, frame out shower surround as required.

II. Connect drain outlet **A** to waste pipe **B** using a no hub coupling. Use a mortar bed under the length of the base to support and level the drain channel.

III. Pour concrete slurry to the height of the channel bottom **C**, pitch at a $\frac{1}{4}$ " per foot slope in direction towards the shower base.

IV. Install hot-mop or liquid membrane per manufacturer's instructions, fully covering concrete **C**.

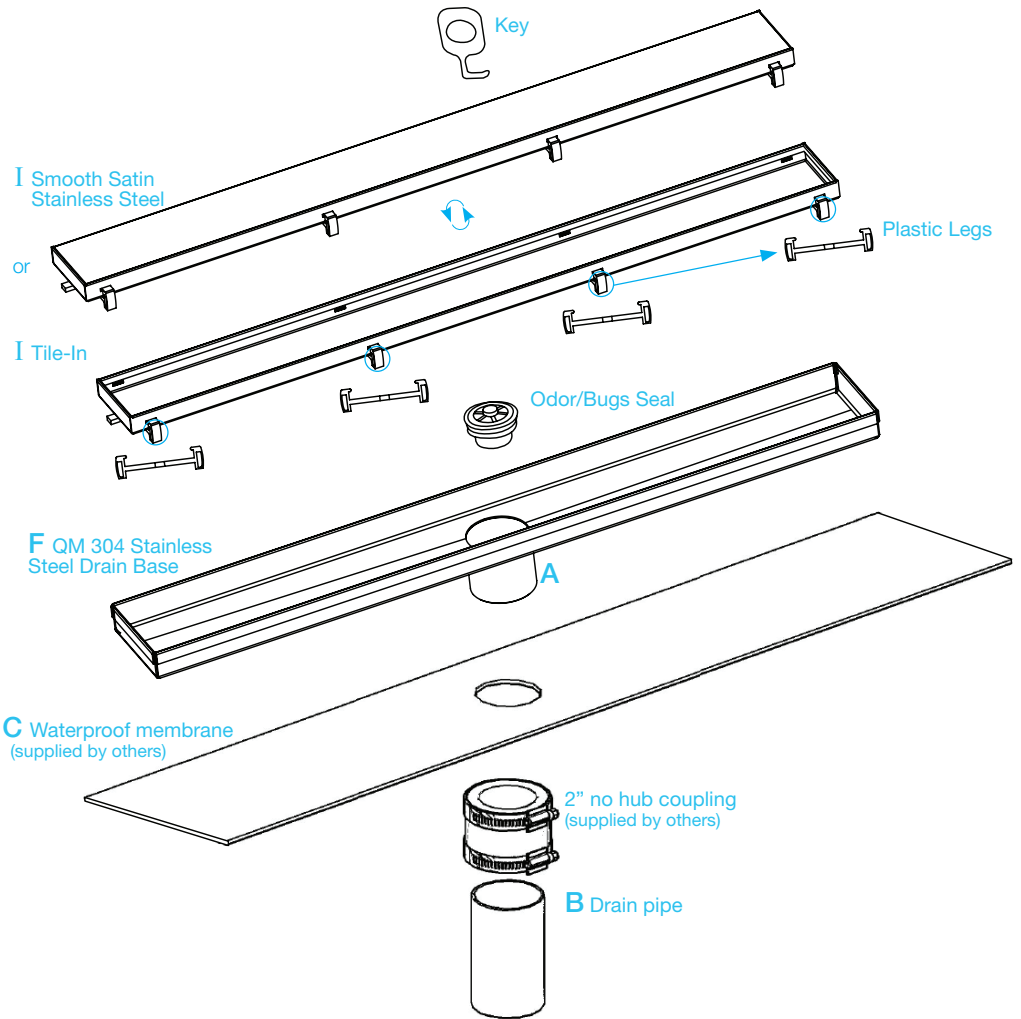
V. Trowel mortar to required height.

VI. Once floor mortar has cured, apply thin set and install tile and grout.

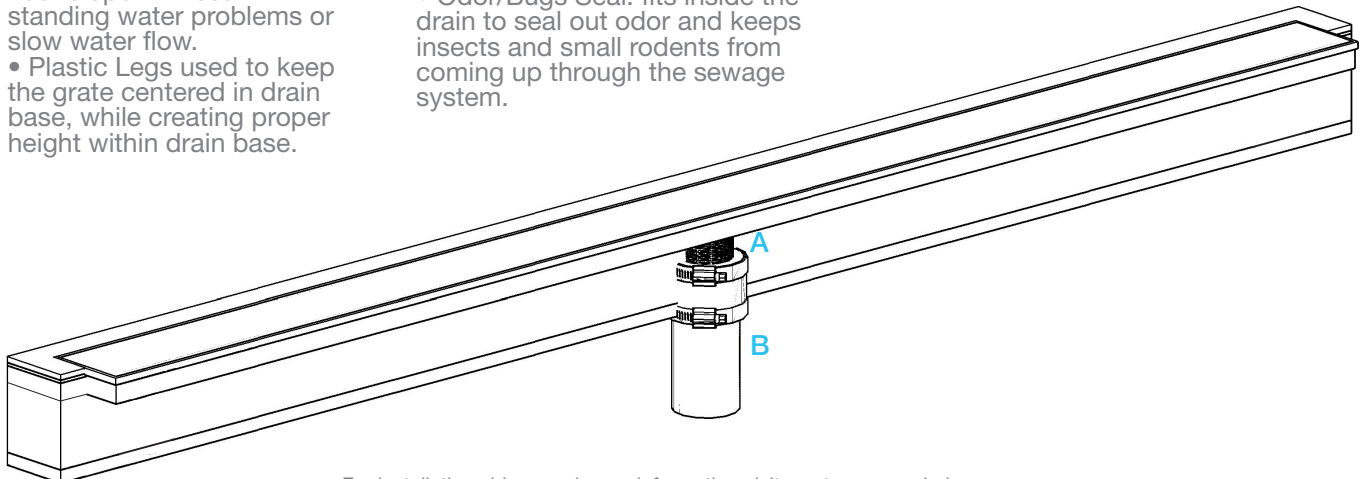
VII. Install the grate into the shower linear base **I**.
2 in 1 Reversible Grate: Drain comes preselected in the Smooth Satin Stainless Steel side, if the desire side to use is the Tile-In, please remove Plastic Legs from the grate using Key included in set, and place Plastic Legs back on the opposite side. Ensure Legs are fully snapped on grate.

Note:

- QM recommends this product to be installed by a licensed contractor.
- Failure to achieve adequate floor slope will result in standing water problems or slow water flow.
- Plastic Legs used to keep the grate centered in drain base, while creating proper height within drain base.



- Key: used to remove Grate from Base, as well as remove Plastic Legs.
- Odor/Bugs Seal: fits inside the drain to seal out odor and keeps insects and small rodents from coming up through the sewage system.



For installation videos and more information visit us at www.qmdrain.com