

## Bay Series Linear Drain Standard Length

Standard installation for wood sub-floor



I. Determine where the drain will be positioned, frame out shower surround as required.

II. Connect drain flange body **A** to the drain pipe, leaving drain bolts in place. Block drain opening with rag to prevent floor mortar blocking pipe work.

III. Trowel mortar onto subfloor **B**, pitch at a 1/4" per foot slope in direction towards the shower base.

IV. Install waterproof membrane **C**, reinforce around outlet and cut carefully to expose heads of drain bolts and outlet. Install clamping ring **D**.

V. Test membrane for leaks.

VI. Screw threaded nipple into the drain flange, adjust to desired height **E**.

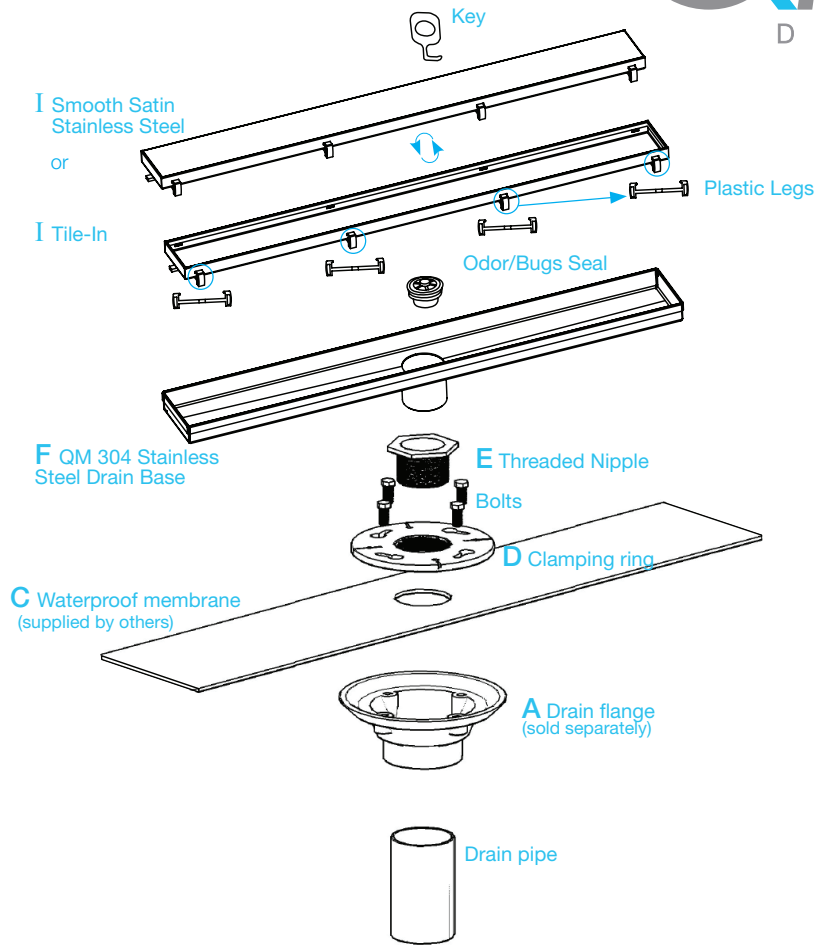
VII. Place the drain channel **F** into the threaded nipple. Use a mortar bed under the length of the base to support and level the drain channel.

VIII. Trowel mortar to required height **G**.

IX. Once floor mortar has cured, apply thin set and install tile and grout **H**.

X. Install the grate into the shower linear base **I**.  
**2 in 1 Reversible Grate:** Drain comes preselected in the Smooth Satin Stainless Steel side, if the desire side to use is the Tile-In, please remove Plastic Legs from the grate using Key included in set, and place Plastic Legs back on the opposite side. Ensure Legs are fully snapped on grate.

**For Tile-In:**  
 Spread a layer of mortar into



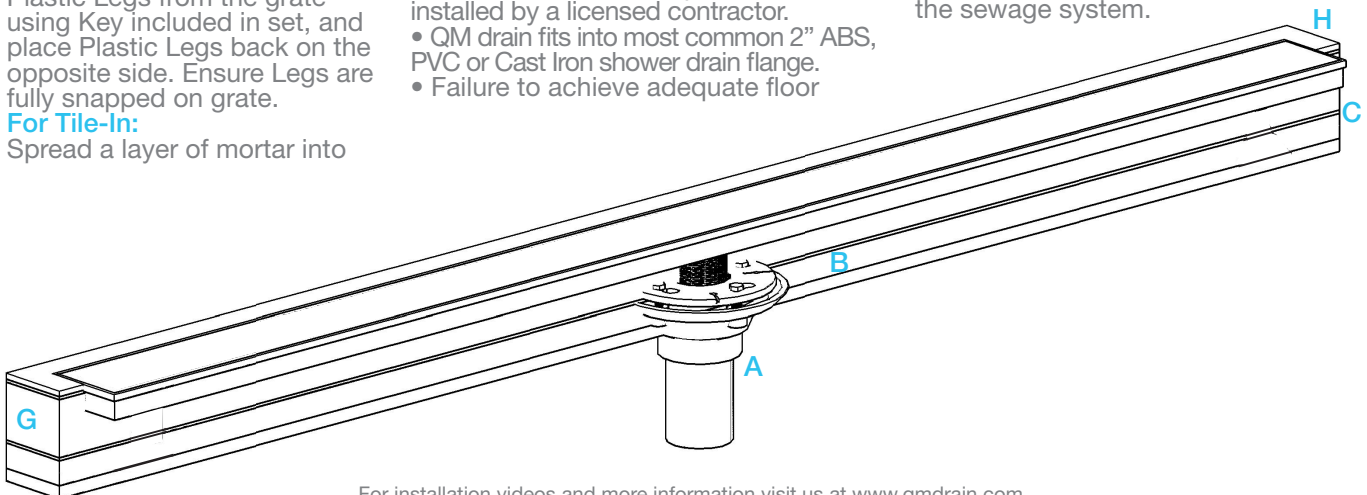
the Tile-In frame, allowing for thinset and material to finish flush with metal frame.

### Note:

- Waterproof membrane should be installed and tested per manufacturer's instructions and local building and plumbing codes.
- QM recommends this product to be installed by a licensed contractor.
- QM drain fits into most common 2" ABS, PVC or Cast Iron shower drain flange.
- Failure to achieve adequate floor

slope will result in standing water problems or slow water flow.

- Plastic Legs used to keep the grate centered in drain base, while creating proper height within drain base.
- Key: used to remove Grate from Base, as well as remove Plastic Legs.
- Odor/Bugs Seal: fits inside the drain to seal out odor and keeps insects and small rodents from coming up through the sewage system.



For installation videos and more information visit us at [www.qmdrain.com](http://www.qmdrain.com)