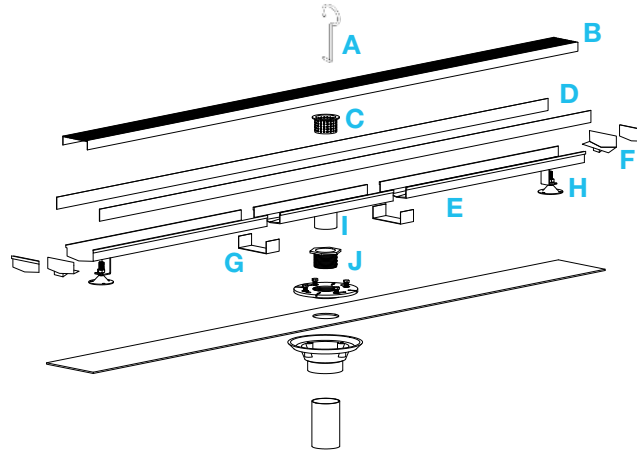


**LAGOS LINEAR DRAIN ADJUSTABLE 2" OUTLET**

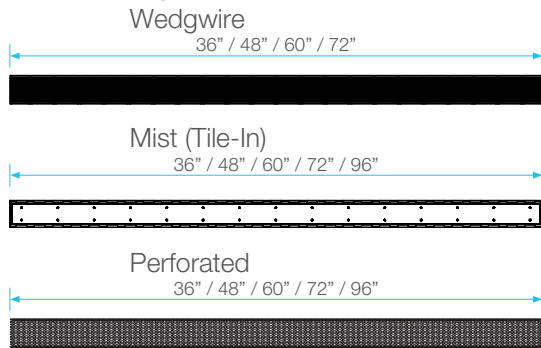
**Kit Includes:**

- A** Lifting Key
- B** Grate
- C** Hair/Debris Strainer
- D** Trims
- E** PVC Base
- F** Base End Cap
- G** Joiners
- H** Leveling Legs
- I** 2" Outlet
- J** Threaded Nipple / Adapter  
 + Stainless Steel Cutting Blade

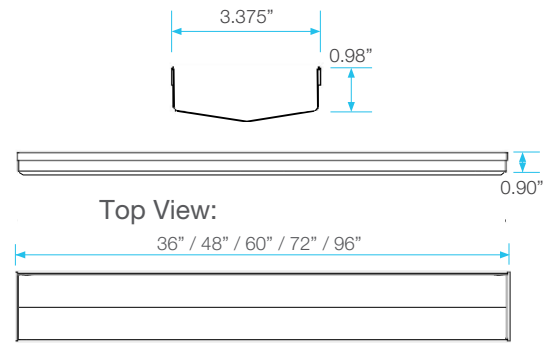


**Specifications**

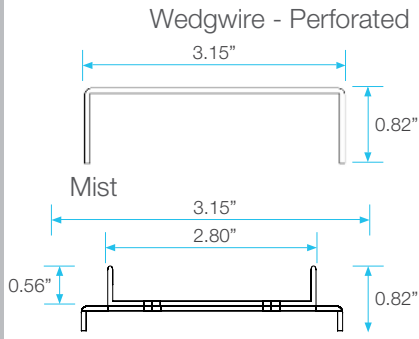
**B Grate - Top View**



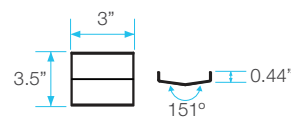
**E Base - Side View**



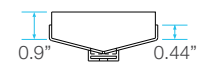
**B Grate - Side View**



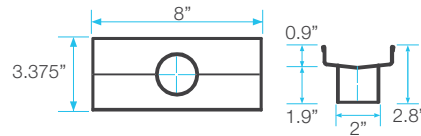
**G Joiner - Side & Top View**



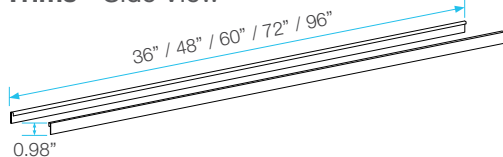
**F Base End Cap - Side View**



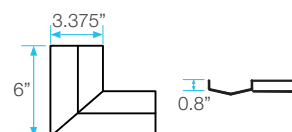
**I 2" Outlet - Side & Top View**



**D Trims - Side View**



**Corner - Side & Top View**



**Lagos Series Features**

- 16 gauge 316 Stainless Steel Grate = 1.5 mm.
- PVC Base = 3 mm.
- Works with 2" ABS, PVC or Cast Iron shower drain flange (not included).
- Standard Finishes: Satin and Polished
- Grate can be removed completely for cleaning.
- Hair Strainer Basket comes with every drain, fits inside the drain to collect hair and other debris, preventing pipe clogs.
- Lagos Series is intended for use with traditional waterproofing methods.


**Adjustable Complete Kit**

	Length	SKU Satin Finish	SKU Polished Finish
 <p>Wedgwire</p>	36"	88.610.36	88.610.36 P
	48"	88.610.48	88.610.48 P
	60"	88.610.60	88.610.60 P
	72"	88.610.72	88.610.72 P
	96"	88.610.96	88.610.96 P
 <p>Perforated</p>	36"	88.620.36	88.620.36 P
	48"	88.620.48	88.620.48 P
	60"	88.620.60	88.620.60 P
	72"	88.620.72	88.620.72 P
	96"	88.620.96	88.620.96 P
 <p>Mist (Tile-In)</p>	36"	88.630.36	88.630.36 P
	48"	88.630.48	88.630.48 P
	60"	88.630.60	88.630.60 P
	72"	88.630.72	88.630.72 P
	96"	88.630.96	88.630.96 P

**Kit includes**

- Lifting Key
- Grate
- Hair/Debris Strainer
- Trims
- PVC Base
- Base End Cape
- Joiners
- Leveling Legs
- 2" Outlet
- Threaded Nipple/Adapter
- Stainless Steel Blade

**Add to Kit**

	Drain Flange	SKU
	2" PVC	83.100.00 PVC
	2" ABS	83.100.00 ABS
	2" Cast Iron No hub	83.100.01
	2" Cast Iron FIP	83.100.01F

**Note:** 72" and \*96" Kit includes two outlets, two hair strainers, two pair of joiners and two adapters. 96" Wedgwire Kit has two 48" grates. Choose the kit with equal or greater size than the length wanted; for longer lengths drain connect kits to build the desire length. Installer must verify all rough-in dimensions prior to installation and consult local and national codes. Conformity and compliance to local and national codes are the responsibility of the installer. Dimensions are subject to Manufacturers tolerance and change without notice. We can assume no responsibility for use of superseded or void data.