

## Bay Series Linear Drain Standard Length Installation for Concrete Slab



I. Determine where the drain will be positioned, frame out shower surround as required.

II. Connect drain outlet **A** to waste pipe **B** using a no hub coupling. Use a mortar bed under the length of the base to support and level the drain channel.

III. Pour concrete slurry to the height of the channel bottom **C**, pitch at a  $\frac{1}{4}$ " per foot slope in direction towards the shower base.

IV. Install hot-mop or liquid membrane per manufacturer's instructions, fully covering concrete **C**.

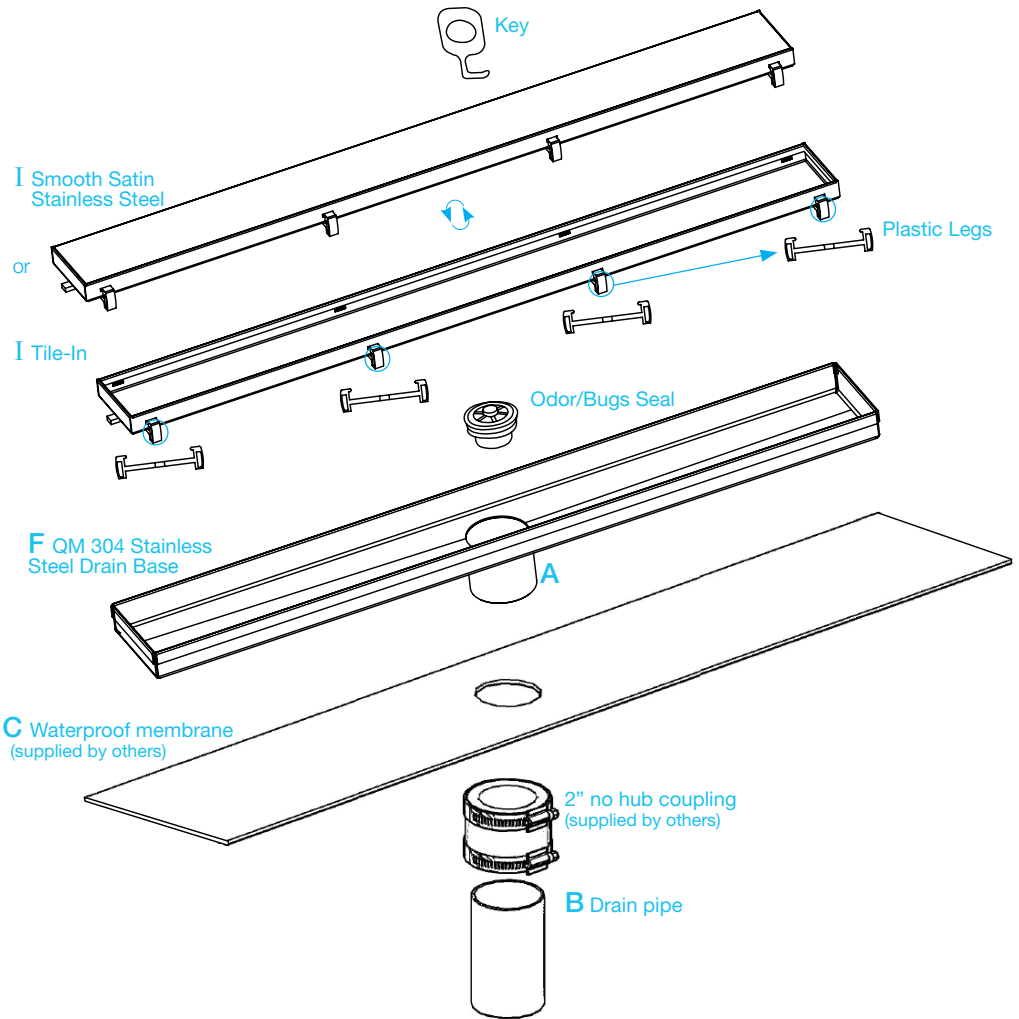
V. Trowel mortar to required height.

VI. Once floor mortar has cured, apply thin set and install tile and grout.

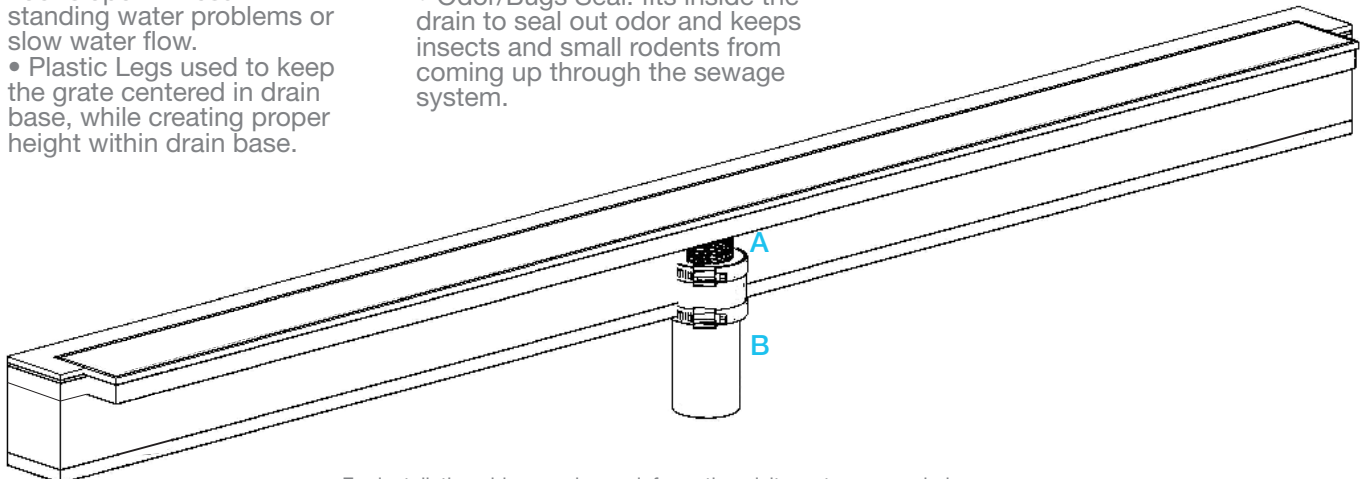
VII. Install the grate into the shower linear base **I**.  
**2 in 1 Reversible Grate:** Drain comes preselected in the Smooth Satin Stainless Steel side, if the desire side to use is the Tile-In, please remove Plastic Legs from the grate using Key included in set, and place Plastic Legs back on the opposite side. Ensure Legs are fully snapped on grate.

### Note:

- QM recommends this product to be installed by a licensed contractor.
- Failure to achieve adequate floor slope will result in standing water problems or slow water flow.
- Plastic Legs used to keep the grate centered in drain base, while creating proper height within drain base.



- Key: used to remove Grate from Base, as well as remove Plastic Legs.
- Odor/Bugs Seal: fits inside the drain to seal out odor and keeps insects and small rodents from coming up through the sewage system.



For installation videos and more information visit us at [www.qmdrain.com](http://www.qmdrain.com)