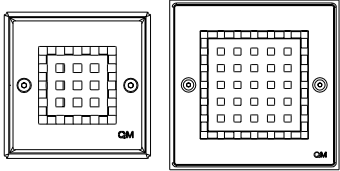


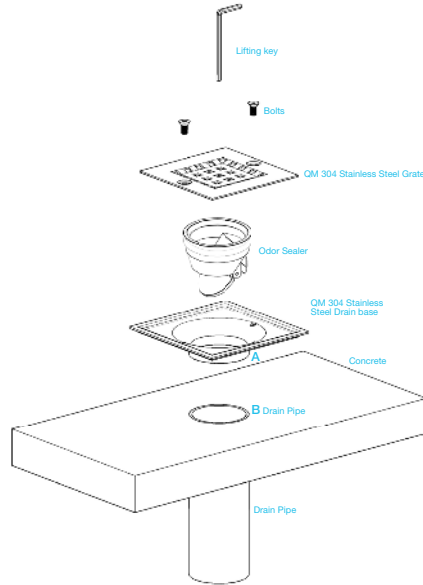
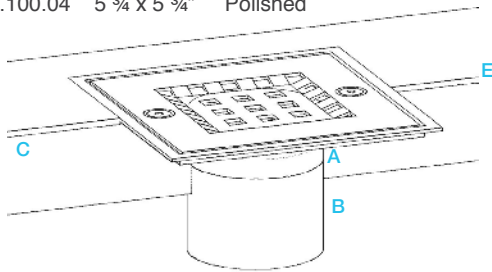
## Bay Square Drain

### Installation

#### Ria Line

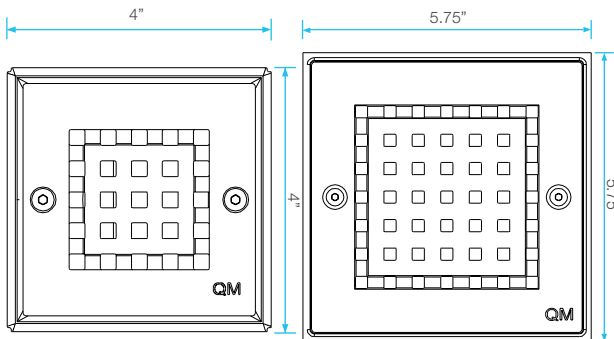


SKU	Size	Finish
38.100.01	4"x4"	Satin
38.100.03	4"x4"	Polished
38.100.02	5 3/4" x 5 3/4"	Satin
38.100.04	5 3/4" x 5 3/4"	Polished

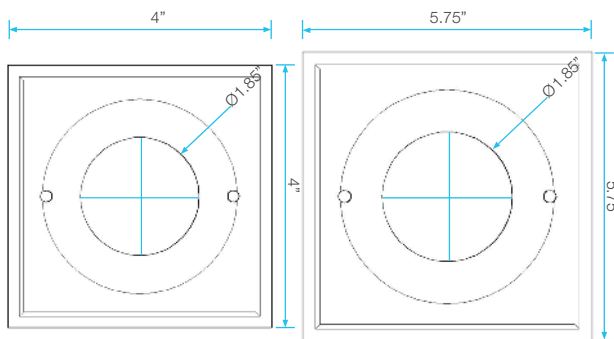


### Specifications

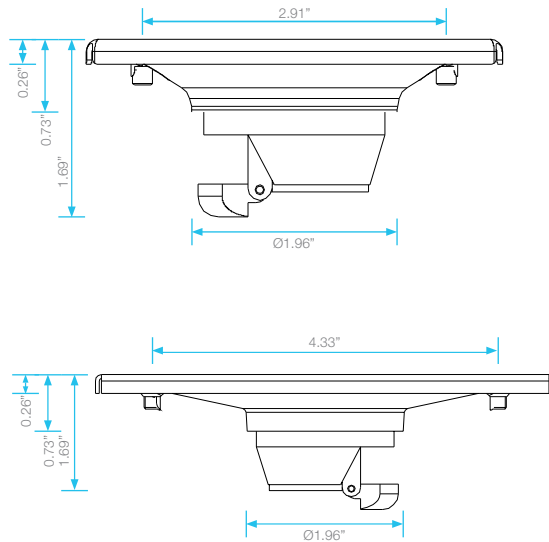
**Drain Grate - Top View:**  
 4" x 4"  
 5 3/4" x 5 3/4"



**Drain Base - Top View:**



**Drain Base - Side View:**



**Odor Sealer - Perspective View:**

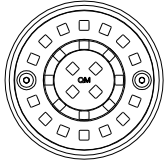


**Note:** Installer must verify all rough-in dimensions prior to installation and consult local and national codes. Conformity and compliance to local and national codes are the responsibility of the installer. Dimensions are subject to Manufacturers tolerance and change without notice. We can assume no responsibility for use of superseded or void data.

**Bay Square Drain**

**Installation**

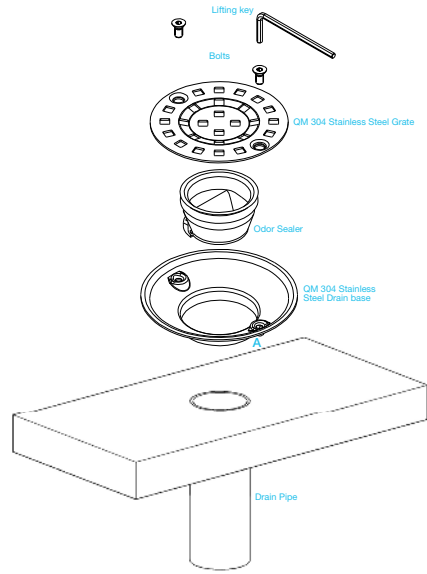
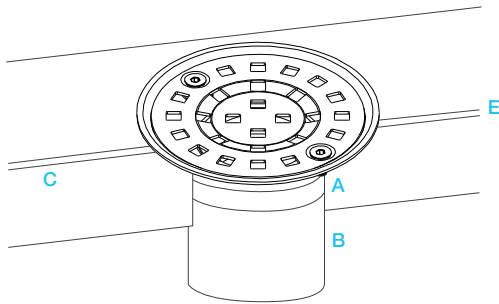
**Ria Line**



**SKU**  
38.100.00

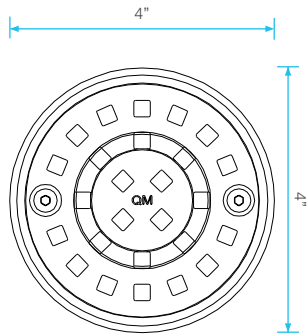
**Size**  
Ø4"

**Finish**  
Satin

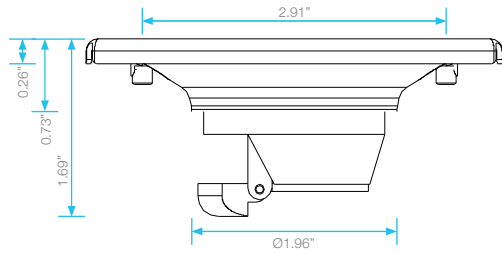


**Specifications**

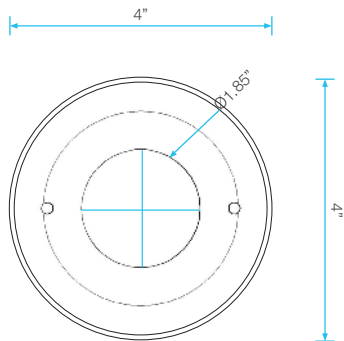
**Drain Grate - Top View:**  
4" x 4"



**Drain Base - Side View:**



**Drain Base - Top View:**



**Odor Sealer - Perspective View:**



**Note:** Installer must verify all rough-in dimensions prior to installation and consult local and national codes. Conformity and compliance to local and national codes are the responsibility of the installer. Dimensions are subject to Manufacturers tolerance and change without notice. We can assume no responsibility for use of superseded or void data.