

Delmar / Lagos Series Point Drain
Installation for Concrete Slab



I. Frame out shower surround as required.

II. Connect drain outlet **A** to waste pipe **B** using a no hub coupling.

III. Pour concrete slurry to the height of the channel bottom, pitch at a 1/4" per foot slope in four directions towards the shower base.

IV. Install waterproofing membrane per manufacturer's instructions, fully covering concrete **D**.

V. Trowel mortar to required height.

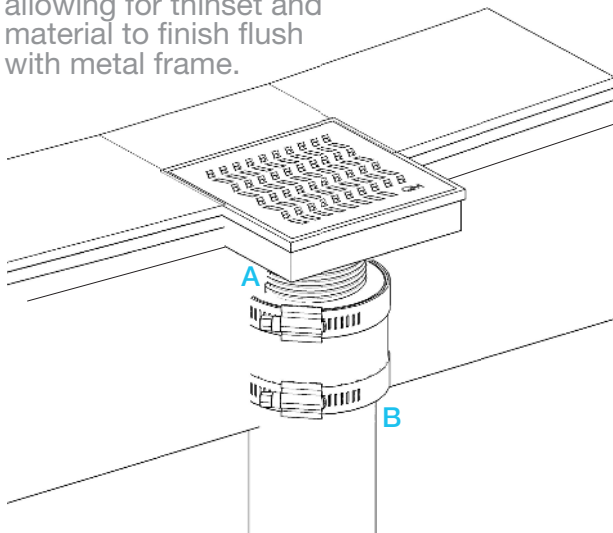
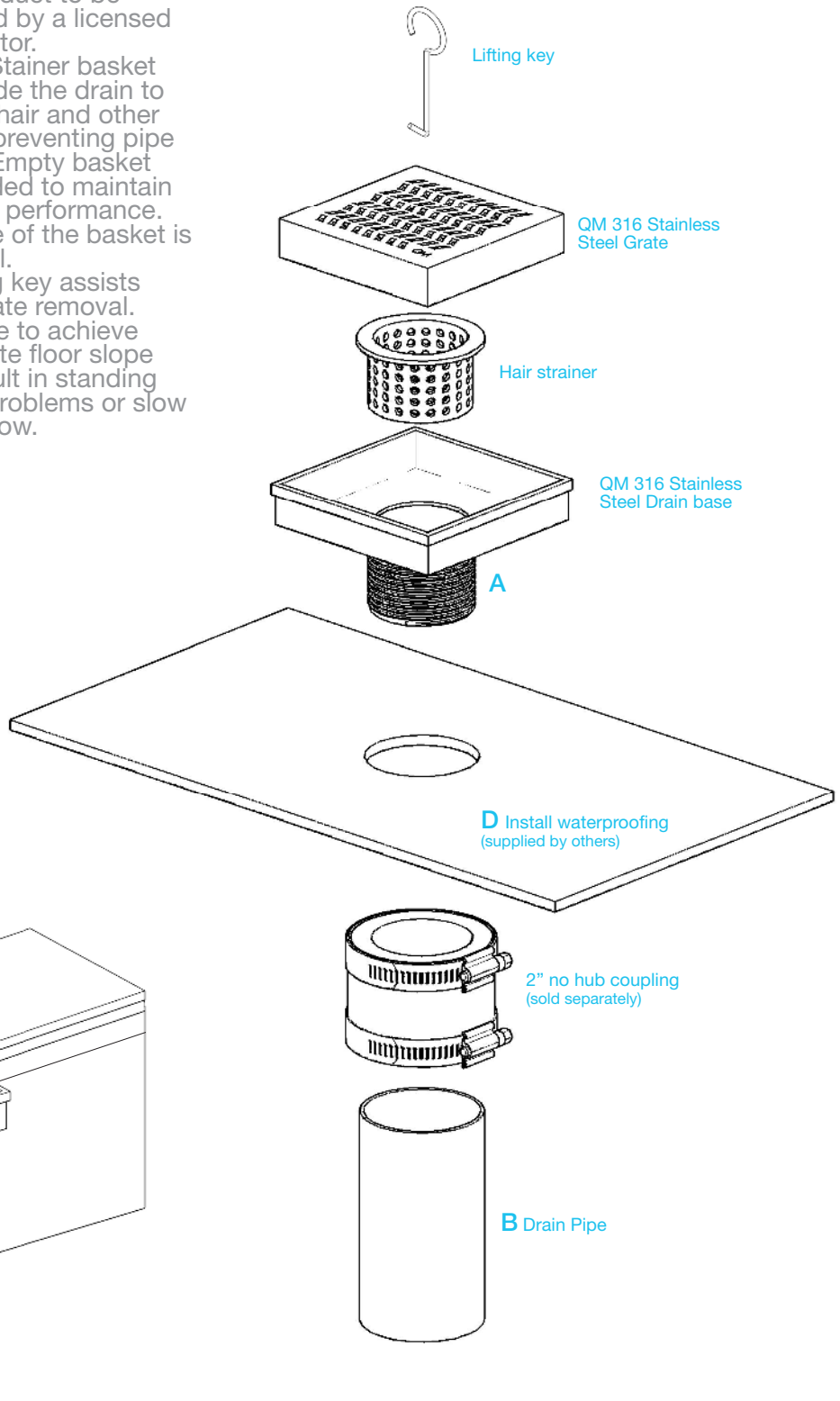
VI. Once floor mortar has cured, apply thin set and install tile and grout.

VII. Install the grate into the shower linear base.

* For Mist or Veil (Tile-In): Spread a layer of mortar into the grate, allowing for thinset and material to finish flush with metal frame.

Note:

- QM recommends this product to be installed by a licensed contractor.
- Hair Stainer basket fits inside the drain to collect hair and other debris preventing pipe clogs. Empty basket as needed to maintain optimal performance. The use of the basket is optional.
- Lifting key assists with grate removal.
- Failure to achieve adequate floor slope will result in standing water problems or slow water flow.



For installation videos and more information visit us at www.qmdrain.com