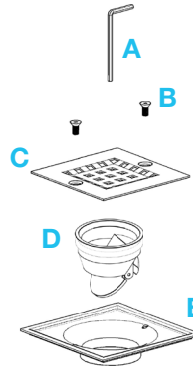


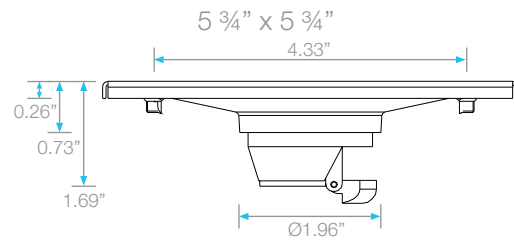
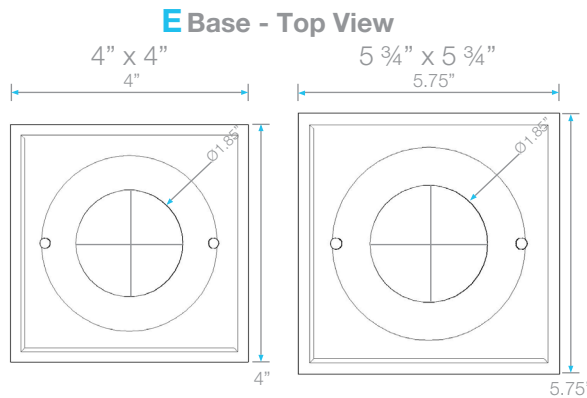
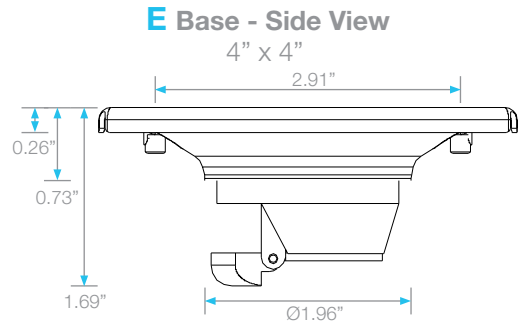
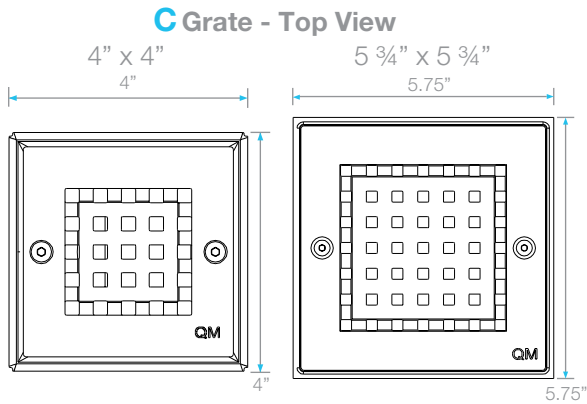
## BAY SQUARE DRAIN

### Kit Includes:

- A** Allen Key
- B** Bolts
- C** Grate
- D** Anti Odor Sealer
- E** Base



### Specifications



### D Anti Odor Sealer - Perspective View



### Complete Kit

Ria Square



Length

4" x 4"

5 3/4" x 5 3/4"

Satin  
SKU

38.100.04 ST

38.100.06 ST

Polished  
SKU

38.100.04 PS

38.100.06 PS

**Note:** Installer must verify all rough-in dimensions prior to installation and consult local and national codes. Conformity and compliance to local and national codes are the responsibility of the installer. Dimensions are subject to Manufacturers tolerance and change without notice. We can assume no responsibility for use of superseded or voided data.