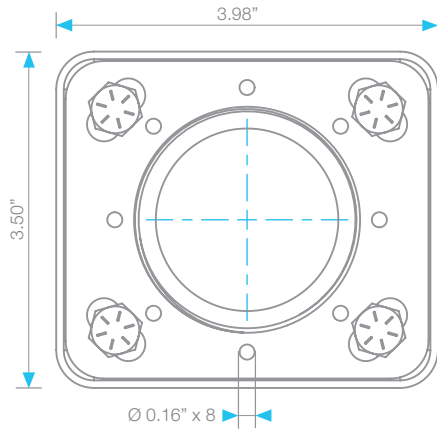


COMPONENTS



Cast Iron Square Drain Flange

Allows easy installation of linear drains in close proximity to the wall.

- 4" x 3-1/2" x 2-3/4" Overall Dimensions
- Fits Shower Drains with 2 - 1 1/2 NPSM Thread
- Cast Iron Sub-Drain & Clamping Ring
- 2" No Hub Outlet Connection
- Has Weep Holes

SKU 83.SQFLG.2.CI

